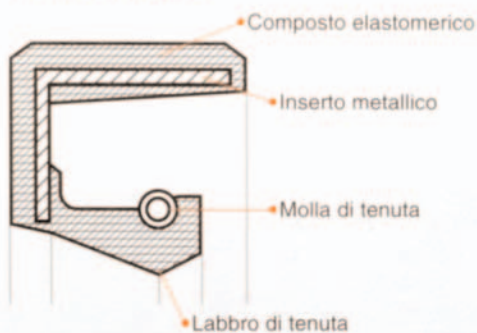


# ANELLI DI TENUTA CON ANELLO METALLICO DI SOSTEGNO E MOLLA ELICOIDALE

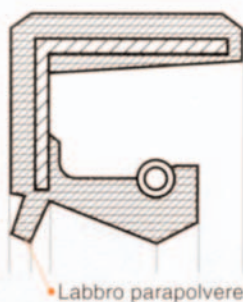
- BUTADIENE ACRILONITILE NBR
- POLIMERO FLUORURATO FKM
- SILICONE
- POLIACRILICO

## TIPI DI SEZIONI DISPONIBILI

Tipo A - DIN 3760



Tipo AS - DIN 3760



## Mescole NBR

| Codice     | Tipo | Dimensioni in mm. |           |        | Codice       | Tipo | Dimensioni in mm. |           |        | Codice      | Tipo | Dimensioni in mm. |           |        |
|------------|------|-------------------|-----------|--------|--------------|------|-------------------|-----------|--------|-------------|------|-------------------|-----------|--------|
|            |      | Ø albero          | Ø esterno | Largh. |              |      | Ø albero          | Ø esterno | Largh. |             |      | Ø albero          | Ø esterno | Largh. |
| A.6.15.7   | A    | 6                 | 15        | 7      | A.12.22.4    | A    | 12                | 22        | 4      | A.15.24.5   | A    | 15                | 24        | 5      |
| A.6.16.7   | A    | 6                 | 16        | 7      | A.12.22.5    | A    | 12                | 22        | 5      | AS.15.24.5  | AS   | 15                | 24        | 5      |
| AS.6.19.7  | AS   | 6                 | 19        | 7      | AS.12.22.5   | AS   | 12                | 22        | 5      | AS.15.24.6  | AS   | 15                | 24        | 6      |
| A.6.22.7   | A    | 6                 | 22        | 7      | A.12.22.6    | A    | 12                | 22        | 6      | A.15.24.7   | A    | 15                | 24        | 7      |
| AS.6.22.7  | AS   | 6                 | 22        | 7      | AS.12.22.6   | AS   | 12                | 22        | 6      | AS.15.24.7  | AS   | 15                | 24        | 7      |
| AS.7.22.7  | AS   | 7                 | 22        | 7      | AS.12.22.6,5 | AS   | 12                | 22        | 6,5    | A.15.25.5   | A    | 15                | 25        | 5      |
| A.8.16.5   | A    | 8                 | 16        | 5      | A.12.22.7    | A    | 12                | 22        | 7      | A.15.25.7   | A    | 15                | 25        | 7      |
| A.8.16.6   | A    | 8                 | 16        | 6      | AS.12.22.7   | AS   | 12                | 22        | 7      | A.15.26.7   | A    | 15                | 26        | 7      |
| AS.8.16.7  | AS   | 8                 | 16        | 7      | A.12.24.4,5  | A    | 12                | 24        | 4,5    | AS.15.26.7  | AS   | 15                | 26        | 7      |
| AS.8.18.6  | AS   | 8                 | 18        | 6      | A.12.24.5    | A    | 12                | 24        | 5      | AS.15.27.7  | AS   | 15                | 27        | 7      |
| A.8.22.7   | A    | 8                 | 22        | 7      | A.12.24.6    | A    | 12                | 24        | 6      | A.15.28.5   | A    | 15                | 28        | 5      |
| AS.8.22.7  | AS   | 8                 | 22        | 7      | A.12.24.7    | A    | 12                | 24        | 7      | A.15.28.6   | A    | 15                | 28        | 6      |
| A.8.24.7   | A    | 8                 | 24        | 7      | AS.12.24.7   | AS   | 12                | 24        | 7      | A.15.28.7   | A    | 15                | 28        | 7      |
| AS.9.22.7  | AS   | 9                 | 22        | 7      | A.12.26.6    | A    | 12                | 26        | 6      | A.15.30.4,5 | A    | 15                | 30        | 4,5    |
| AS.9.24.7  | AS   | 9                 | 24        | 7      | AS.12.26.8   | AS   | 12                | 26        | 8      | A.15.30.5   | A    | 15                | 30        | 5      |
| A.9.26.7   | A    | 9                 | 26        | 7      | A.12.28.7    | A    | 12                | 28        | 7      | A.15.30.7   | A    | 15                | 30        | 7      |
| A.10.19.7  | A    | 10                | 19        | 7      | A.12.30.7    | A    | 12                | 30        | 7      | AS.15.30.7  | AS   | 15                | 30        | 7      |
| AS.10.19.7 | AS   | 10                | 19        | 7      | A.12.32.7    | A    | 12                | 32        | 7      | AS.15.32.5  | AS   | 15                | 32        | 5      |
| A.10.20.4  | A    | 10                | 20        | 4      | AS.12.37.7   | AS   | 12                | 37        | 7      | A.15.32.7   | A    | 15                | 32        | 7      |
| A.10.20.6  | A    | 10                | 20        | 6      | A.14.22.4    | A    | 14                | 22        | 4      | AS.15.32.7  | AS   | 15                | 32        | 7      |
| A.10.22.7  | A    | 10                | 22        | 7      | A.14.22.6    | A    | 14                | 22        | 6      | A.15.35.7   | A    | 15                | 35        | 7      |
| AS.10.22.7 | AS   | 10                | 22        | 7      | AS.14.22.7   | AS   | 14                | 22        | 7      | AS.15.35.7  | AS   | 15                | 35        | 7      |
| A.10.24.7  | A    | 10                | 24        | 7      | AS.14.24.5   | AS   | 14                | 24        | 5      | AS.15.35.10 | AS   | 15                | 35        | 10     |
| A.10.26.7  | A    | 10                | 26        | 7      | AS.14.24.6   | AS   | 14                | 24        | 6      | A.15.40.10  | A    | 15                | 40        | 10     |
| AS.10.26.7 | AS   | 10                | 26        | 7      | A.14.24.7    | A    | 14                | 24        | 7      | A.15.42.7   | A    | 15                | 42        | 7      |
| A.10.30.7  | A    | 10                | 30        | 7      | AS.14.24.7   | AS   | 14                | 24        | 7      | A.16.22.4   | A    | 16                | 22        | 4      |
| A.11.22.7  | A    | 11                | 22        | 7      | A.14.25.5    | A    | 14                | 25        | 5      | A.16.24.4   | A    | 16                | 24        | 4      |
| AS.11.22.7 | AS   | 11                | 22        | 7      | AS.14.28.7   | AS   | 14                | 28        | 7      | A.16.24.5   | A    | 16                | 24        | 5      |
| A.12.20.5  | A    | 12                | 20        | 5      | A.14.30.7    | A    | 14                | 30        | 7      | A.16.24.7   | A    | 16                | 24        | 7      |
| AS.12.20.5 | AS   | 12                | 20        | 5      | AS.14.35.7   | AS   | 14                | 35        | 7      | AS.16.25.5  | AS   | 16                | 25        | 5      |

Il nostro Ufficio Tecnico è sempre a Vostra disposizione per valutare qualsiasi richiesta e per la stesura di preventivi di fornitura

|              |      | Dimensioni in mm. |           |        |             |      | Dimensioni in mm. |           |        |             |      | Dimensioni in mm. |           |        |
|--------------|------|-------------------|-----------|--------|-------------|------|-------------------|-----------|--------|-------------|------|-------------------|-----------|--------|
| Codice       | Tipo | Ø albero          | Ø esterno | Largh. | Codice      | Tipo | Ø albero          | Ø esterno | Largh. | Codice      | Tipo | Ø albero          | Ø esterno | Largh. |
| A.16.28.7    | A    | 16                | 28        | 7      | AS.20.35.7  | AS   | 20                | 35        | 7      | AS.25.42.7  | AS   | 25                | 42        | 7      |
| AS.16.28.7   | AS   | 16                | 28        | 7      | AS.20.35.8  | AS   | 20                | 35        | 8      | A.25.42.8,5 | A    | 25                | 42        | 8,5    |
| A.16.30.5    | A    | 16                | 30        | 5      | A.20.35.10  | A    | 20                | 35        | 10     | A.25.42.10  | A    | 25                | 42        | 10     |
| AS.16.30.7   | AS   | 16                | 30        | 7      | AS.20.35.10 | AS   | 20                | 35        | 10     | AS.25.45.7  | AS   | 25                | 45        | 7      |
| A.16.32.7    | A    | 16                | 32        | 7      | AS.20.37.7  | AS   | 20                | 37        | 7      | A.25.45.10  | A    | 25                | 45        | 10     |
| AS.16.32.7   | AS   | 16                | 32        | 7      | A.20.38.8   | A    | 20                | 38        | 8      | AS.25.45.10 | AS   | 25                | 45        | 10     |
| AS.16.35.7   | AS   | 16                | 35        | 7      | AS.20.38.8  | AS   | 20                | 38        | 8      | AS.25.46.7  | AS   | 25                | 46        | 7      |
| A.16.35.8    | A    | 16                | 35        | 8      | A.20.40.7   | A    | 20                | 40        | 7      | A.25.47.7   | A    | 25                | 47        | 7      |
| A.16.40.10   | A    | 16                | 40        | 10     | AS.20.40.7  | AS   | 20                | 40        | 7      | AS.25.47.7  | AS   | 25                | 47        | 7      |
| A.17.25.4    | A    | 17                | 25        | 4      | A.20.40.10  | A    | 20                | 40        | 10     | A.25.47.8   | A    | 25                | 47        | 8      |
| AS.17.27.7   | AS   | 17                | 27        | 7      | AS.20.40.10 | AS   | 20                | 40        | 10     | AS.25.47.8  | AS   | 25                | 47        | 8      |
| A.17.28.5    | A    | 17                | 28        | 5      | A.20.42.7   | A    | 20                | 42        | 7      | A.25.47.10  | A    | 25                | 47        | 10     |
| A.17.28.6    | A    | 17                | 28        | 6      | AS.20.42.7  | AS   | 20                | 42        | 7      | AS.25.47.10 | AS   | 25                | 47        | 10     |
| A.17.28.7    | A    | 17                | 28        | 7      | AS.20.42.10 | AS   | 20                | 42        | 10     | A.25.50.10  | A    | 25                | 50        | 10     |
| AS.17.28.7   | AS   | 17                | 28        | 7      | A.20.47.10  | A    | 20                | 47        | 10     | AS.25.50.10 | AS   | 25                | 50        | 10     |
| A.17.30.7    | A    | 17                | 30        | 7      | AS.20.47.7  | AS   | 20                | 47        | 7      | A.25.52.7   | A    | 25                | 52        | 7      |
| AS.17.30.7   | AS   | 17                | 30        | 7      | AS.20.47.8  | AS   | 20                | 47        | 8      | AS.25.52.7  | AS   | 25                | 52        | 7      |
| A.17.32.5    | A    | 17                | 32        | 5      | A.20.47.10  | A    | 20                | 47        | 10     | A.25.52.8   | A    | 25                | 52        | 8      |
| AS.17.32.5   | AS   | 17                | 32        | 5      | A.20.52.7   | A    | 20                | 52        | 7      | AS.25.52.8  | AS   | 25                | 52        | 8      |
| A.17.32.7    | A    | 17                | 32        | 7      | AS.20.52.10 | AS   | 20                | 52        | 10     | A.25.52.10  | A    | 25                | 52        | 10     |
| AS.17.32.7   | AS   | 17                | 32        | 7      | AS.21.40.7  | AS   | 21                | 40        | 7      | AS.25.52.10 | AS   | 25                | 52        | 10     |
| AS.17.32.8   | AS   | 17                | 32        | 8      | A.22.32.5   | A    | 22                | 32        | 5      | AS.25.62.8  | AS   | 25                | 62        | 8      |
| A.17.35.5    | A    | 17                | 35        | 5      | A.22.32.5,5 | A    | 22                | 32        | 5,5    | A.25.62.10  | A    | 25                | 62        | 10     |
| A.17.35.7    | A    | 17                | 35        | 7      | A.22.32.7   | A    | 22                | 32        | 7      | AS.25.62.10 | AS   | 25                | 62        | 10     |
| AS.17.35.7   | AS   | 17                | 35        | 7      | AS.22.32.7  | AS   | 22                | 32        | 7      | AS.26.35.7  | AS   | 26                | 35        | 7      |
| A.17.35.8    | A    | 17                | 35        | 8      | A.22.35.7   | A    | 22                | 35        | 7      | AS.26.36.7  | AS   | 26                | 36        | 7      |
| AS.17.35.8   | AS   | 17                | 35        | 8      | AS.22.35.7  | AS   | 22                | 35        | 7      | A.26.37.7   | A    | 26                | 37        | 7      |
| A.17.40.6    | A    | 17                | 40        | 6      | A.22.35.8   | A    | 22                | 35        | 8      | AS.26.37.8  | AS   | 26                | 37        | 8      |
| A.17.40.7    | A    | 17                | 40        | 7      | A.22.40.7   | A    | 22                | 40        | 7      | A.26.42.7   | A    | 26                | 42        | 7      |
| AS.17.40.7   | AS   | 17                | 40        | 7      | AS.22.40.7  | AS   | 22                | 40        | 7      | A.26.47.7   | A    | 26                | 47        | 7      |
| AS.17.40.8   | AS   | 17                | 40        | 8      | AS.22.42.7  | AS   | 22                | 42        | 7      | A.26.52.8   | A    | 26                | 52        | 8      |
| AS.17.40.10  | AS   | 17                | 40        | 10     | AS.22.45.8  | AS   | 22                | 45        | 8      | AS.27.36.6  | AS   | 27                | 36        | 6      |
| AS.17.47.7   | AS   | 17                | 47        | 7      | A.22.47.7   | A    | 22                | 47        | 7      | A.27.37.7   | A    | 27                | 37        | 7      |
| AS.17.47.8   | AS   | 17                | 47        | 8      | AS.22.47.7  | AS   | 22                | 47        | 7      | AS.27.40.7  | AS   | 27                | 40        | 7      |
| A.18.26.6    | A    | 18                | 26        | 6      | A.22.47.10  | A    | 22                | 47        | 10     | A.27.42.10  | A    | 27                | 42        | 10     |
| A.18.28.7    | A    | 18                | 28        | 7      | A.23.40.8   | A    | 23                | 40        | 8      | A.27.47.6   | A    | 27                | 47        | 6      |
| AS.18.28.7   | AS   | 18                | 28        | 7      | A.24.35.7   | A    | 24                | 35        | 7      | AS.27.47.7  | AS   | 27                | 47        | 7      |
| A.18.30.5    | A    | 18                | 30        | 5      | AS.24.35.7  | AS   | 24                | 35        | 7      | A.28.38.7   | A    | 28                | 38        | 7      |
| A.18.30.7    | A    | 18                | 30        | 7      | AS.24.37.7  | AS   | 24                | 37        | 7      | AS.28.38.7  | AS   | 28                | 38        | 7      |
| AS.18.30.7   | AS   | 18                | 30        | 7      | A.24.40.7   | A    | 24                | 40        | 7      | A.28.40.7   | A    | 28                | 40        | 7      |
| A.18.32.7    | A    | 18                | 32        | 7      | AS.24.40.7  | AS   | 24                | 40        | 7      | AS.28.40.7  | AS   | 28                | 40        | 7      |
| AS.18.32.7   | AS   | 18                | 32        | 7      | AS.24.40.8  | AS   | 24                | 40        | 8      | A.28.42.7   | A    | 28                | 42        | 7      |
| AS.18.32.8   | AS   | 18                | 32        | 8      | AS.24.42.8  | AS   | 24                | 42        | 8      | AS.28.42.7  | AS   | 28                | 42        | 7      |
| A.18.35.7    | A    | 18                | 35        | 7      | AS.24.47.7  | AS   | 24                | 47        | 7      | AS.28.42.10 | AS   | 28                | 42        | 10     |
| AS.18.35.7   | AS   | 18                | 35        | 7      | A.24.47.10  | A    | 24                | 47        | 10     | A.28.45.8   | A    | 28                | 45        | 8      |
| A.18.35.10   | A    | 18                | 35        | 10     | A.24.52.10  | A    | 24                | 52        | 10     | A.28.47.7   | A    | 28                | 47        | 7      |
| A.18.40.7    | A    | 18                | 40        | 7      | AS.25.32.6  | AS   | 25                | 32        | 6      | AS.28.47.7  | AS   | 28                | 47        | 7      |
| AS.18.40.7   | AS   | 18                | 40        | 7      | A.25.35.5   | A    | 25                | 35        | 5      | A.28.47.10  | A    | 28                | 47        | 10     |
| AS.19.27.5   | AS   | 19                | 27        | 5      | A.25.35.7   | A    | 25                | 35        | 7      | A.28.52.7   | A    | 28                | 52        | 7      |
| A.19.32.7    | A    | 19                | 32        | 7      | AS.25.35.7  | AS   | 25                | 35        | 7      | AS.28.52.7  | AS   | 28                | 52        | 7      |
| AS.19.32.7   | AS   | 19                | 32        | 7      | A.25.37.5   | A    | 25                | 37        | 5      | A.28.52.10  | A    | 28                | 52        | 10     |
| AS.19.35.7   | AS   | 19                | 35        | 7      | A.25.37.7   | A    | 25                | 37        | 7      | AS.25.52.10 | AS   | 25                | 52        | 10     |
| A.20.30.4    | A    | 20                | 30        | 4      | AS.25.37.7  | AS   | 25                | 37        | 7      | AS.28.58.6  | AS   | 28                | 58        | 6      |
| AS.20.30.4,5 | AS   | 20                | 30        | 4,5    | A.25.38.7   | A    | 25                | 38        | 7      | AS.30.40.5  | AS   | 30                | 40        | 5      |
| A.20.30.5    | A    | 20                | 30        | 5      | AS.25.38.7  | AS   | 25                | 38        | 7      | A.30.40.7   | A    | 30                | 40        | 7      |
| AS.20.30.5   | AS   | 20                | 30        | 5      | A.25.40.5   | A    | 25                | 40        | 5      | AS.30.40.7  | AS   | 30                | 40        | 7      |
| A.20.30.7    | A    | 20                | 30        | 7      | A.25.40.7   | A    | 25                | 40        | 7      | A.30.42.7   | A    | 30                | 42        | 7      |
| AS.20.30.7   | AS   | 20                | 30        | 7      | AS.25.40.7  | AS   | 25                | 40        | 7      | AS.30.42.7  | AS   | 30                | 42        | 7      |
| A.20.32.5    | A    | 20                | 32        | 5      | A.25.40.8   | A    | 25                | 40        | 8      | AS.30.45.7  | AS   | 30                | 45        | 7      |
| A.20.32.7    | A    | 20                | 32        | 7      | AS.25.40.8  | AS   | 25                | 40        | 8      | A.30.45.8   | A    | 30                | 45        | 8      |
| AS.20.32.7   | AS   | 20                | 32        | 7      | A.25.40.10  | A    | 25                | 40        | 10     | AS.30.45.8  | AS   | 30                | 45        | 8      |
| AS.20.35.6   | AS   | 20                | 35        | 6      | A.25.42.6   | A    | 25                | 42        | 6      | A.30.47.6   | A    | 30                | 47        | 6      |
| A.20.35.7    | A    | 20                | 35        | 7      | A.25.42.7   | A    | 25                | 42        | 7      | A.30.47.7   | A    | 30                | 47        | 7      |

**Il nostro Ufficio Tecnico è sempre a Vostra disposizione per valutare qualsiasi richiesta e per la stesura di preventivi di fornitura**

|             |      | Dimensioni in mm. |           |        |               |      | Dimensioni in mm. |           |        |             |      | Dimensioni in mm. |           |        |
|-------------|------|-------------------|-----------|--------|---------------|------|-------------------|-----------|--------|-------------|------|-------------------|-----------|--------|
| Codice      | Tipo | Ø albero          | Ø esterno | Largh. | Codice        | Tipo | Ø albero          | Ø esterno | Largh. | Codice      | Tipo | Ø albero          | Ø esterno | Largh. |
| AS.30.47.7  | AS   | 30                | 47        | 7      | A.35.50.10    | A    | 35                | 50        | 10     | AS.40.58.10 | AS   | 40                | 58        | 10     |
| AS.30.47.8  | AS   | 30                | 47        | 8      | AS.35.50.10   | AS   | 35                | 50        | 10     | A.40.58.12  | A    | 40                | 58        | 12     |
| A.30.47.10  | A    | 30                | 47        | 10     | A.35.52.7     | A    | 35                | 52        | 7      | A.40.60.7   | A    | 40                | 60        | 7      |
| AS.30.47.10 | AS   | 30                | 47        | 10     | AS.35.52.7    | AS   | 35                | 52        | 7      | AS.40.60.7  | AS   | 40                | 60        | 7      |
| A.30.48.8   | A    | 30                | 48        | 8      | A.35.52.8     | A    | 35                | 52        | 8      | A.40.60.10  | A    | 40                | 60        | 10     |
| A.30.50.5   | A    | 30                | 50        | 5      | AS.35.52.8    | AS   | 35                | 52        | 8      | AS.40.60.10 | AS   | 40                | 60        | 10     |
| A.30.50.7   | A    | 30                | 50        | 7      | A.35.52.10    | A    | 35                | 52        | 10     | A.40.62.7   | A    | 40                | 62        | 7      |
| AS.30.50.7  | AS   | 30                | 50        | 7      | AS.35.52.10   | AS   | 35                | 52        | 10     | AS.40.62.7  | AS   | 40                | 62        | 7      |
| A.30.50.8   | A    | 30                | 50        | 8      | A.35.55.10    | A    | 35                | 55        | 10     | A.40.62.8   | A    | 40                | 62        | 8      |
| AS.30.50.8  | AS   | 30                | 50        | 8      | AS.35.55.10   | AS   | 35                | 55        | 10     | AS.40.62.8  | AS   | 40                | 62        | 8      |
| A.30.50.10  | A    | 30                | 50        | 10     | A.35.56.8     | A    | 35                | 56        | 8      | A.40.62.10  | A    | 40                | 62        | 10     |
| AS.30.50.10 | AS   | 30                | 50        | 10     | A.35.56.10    | A    | 35                | 56        | 10     | AS.40.62.10 | AS   | 40                | 62        | 10     |
| A.30.52.7   | A    | 30                | 52        | 7      | AS.35.56.10   | AS   | 35                | 56        | 10     | A.40.65.10  | A    | 40                | 65        | 10     |
| AS.30.52.7  | AS   | 30                | 52        | 7      | A.35.56.12    | A    | 35                | 56        | 12     | AS.40.65.10 | AS   | 40                | 65        | 10     |
| AS.30.52.8  | AS   | 30                | 52        | 8      | AS.35.58.10   | AS   | 35                | 58        | 10     | AS.40.68.8  | AS   | 40                | 68        | 8      |
| A.30.52.10  | A    | 30                | 52        | 10     | A.35.60.10    | A    | 35                | 60        | 10     | A.40.68.10  | A    | 40                | 68        | 10     |
| AS.30.52.10 | AS   | 30                | 52        | 10     | AS.35.60.10   | AS   | 35                | 60        | 10     | AS.40.68.10 | AS   | 40                | 68        | 10     |
| A.30.55.7   | A    | 30                | 55        | 7      | A.35.62.7     | A    | 35                | 62        | 7      | A.40.70.10  | A    | 40                | 70        | 10     |
| AS.30.55.7  | AS   | 30                | 55        | 7      | AS.35.62.7    | AS   | 35                | 62        | 7      | A.40.72.7   | A    | 40                | 72        | 7      |
| A.30.55.10  | A    | 30                | 55        | 10     | AS.35.62.8    | AS   | 35                | 62        | 8      | AS.40.72.7  | AS   | 40                | 72        | 7      |
| AS.30.55.10 | AS   | 30                | 55        | 10     | A.35.62.10    | A    | 35                | 62        | 10     | A.40.72.10  | A    | 40                | 72        | 10     |
| A.30.60.10  | A    | 30                | 60        | 10     | AS.35.62.10   | AS   | 35                | 62        | 10     | AS.40.72.10 | AS   | 40                | 72        | 10     |
| A.30.62.7   | A    | 30                | 62        | 7      | AS.35.65.10   | AS   | 35                | 65        | 10     | A.40.80.8   | A    | 40                | 80        | 8      |
| AS.30.62.7  | AS   | 30                | 62        | 7      | A.35.68.8     | A    | 35                | 68        | 8      | A.40.80.10  | A    | 40                | 80        | 10     |
| AS.30.62.8  | AS   | 30                | 62        | 8      | A.35.72.10    | A    | 35                | 72        | 10     | AS.40.80.10 | AS   | 40                | 80        | 10     |
| A.30.62.10  | A    | 30                | 62        | 10     | AS.35.72.10   | AS   | 35                | 72        | 10     | AS.40.80.12 | AS   | 40                | 80        | 12     |
| AS.30.62.10 | AS   | 30                | 62        | 10     | AS.35.72.12   | AS   | 35                | 72        | 12     | A.40.90.8   | A    | 40                | 90        | 8      |
| A.30.72.10  | A    | 30                | 72        | 10     | A.35.80.10    | A    | 35                | 80        | 10     | A.40.90.10  | A    | 40                | 90        | 10     |
| AS.30.72.10 | AS   | 30                | 72        | 10     | AS.35.80.10   | AS   | 35                | 80        | 10     | AS.41.53.7  | AS   | 41                | 53        | 7      |
| A.31.47.7   | A    | 31                | 47        | 7      | A.35.80.12    | A    | 35                | 80        | 12     | A.42.55.7   | A    | 42                | 55        | 7      |
| AS.31.52.7  | AS   | 31                | 52        | 7      | A.36.47.7     | A    | 36                | 47        | 7      | A.42.55.8   | A    | 42                | 55        | 8      |
| A.32.40.7   | A    | 32                | 40        | 7      | A.36.50.7     | A    | 36                | 50        | 7      | AS.42.55.8  | AS   | 42                | 55        | 8      |
| A.32.42.7   | A    | 32                | 42        | 7      | AS.36.50.7    | AS   | 36                | 50        | 7      | A.42.56.7   | A    | 42                | 56        | 7      |
| AS.32.42.7  | AS   | 32                | 42        | 7      | A.36.54.7,5   | A    | 36                | 54        | 7,5    | AS.42.56.7  | AS   | 42                | 56        | 7      |
| A.32.45.7   | A    | 32                | 45        | 7      | A.36.58.10    | A    | 36                | 58        | 10     | A.42.60.10  | A    | 42                | 60        | 10     |
| AS.32.45.7  | AS   | 32                | 45        | 7      | A.36.62.7     | A    | 36                | 62        | 7      | AS.42.60.10 | AS   | 42                | 60        | 10     |
| A.32.47.7   | A    | 32                | 47        | 7      | A.37.62.8     | A    | 37                | 62        | 8      | A.42.60.12  | A    | 42                | 60        | 12     |
| AS.32.47.7  | AS   | 32                | 47        | 7      | A.38.50.7     | A    | 38                | 50        | 7      | A.42.62.7   | A    | 42                | 62        | 7      |
| AS.32.47.10 | AS   | 32                | 47        | 10     | AS.38.50.7    | AS   | 38                | 50        | 7      | AS.42.62.7  | AS   | 42                | 62        | 7      |
| AS.32.48.7  | AS   | 32                | 48        | 7      | A.38.52.7     | A    | 38                | 52        | 7      | A.42.62.8   | A    | 42                | 62        | 8      |
| AS.32.50.7  | AS   | 32                | 50        | 7      | AS.38.52.7    | AS   | 38                | 52        | 7      | AS.42.62.8  | AS   | 42                | 62        | 8      |
| A.32.50.8   | A    | 32                | 50        | 8      | A.38.52.10    | A    | 38                | 52        | 10     | A.42.62.10  | A    | 42                | 62        | 10     |
| A.32.52.5   | A    | 32                | 52        | 5      | A.38.54.10    | A    | 38                | 54        | 10     | AS.42.62.10 | AS   | 42                | 62        | 10     |
| A.32.52.7   | A    | 32                | 52        | 7      | AS.38.55.7    | AS   | 38                | 55        | 7      | AS.42.65.10 | AS   | 42                | 65        | 10     |
| AS.32.52.7  | AS   | 32                | 52        | 7      | AS.38.55.10   | AS   | 38                | 55        | 10     | AS.42.68.8  | AS   | 42                | 68        | 8      |
| A.32.52.10  | A    | 32                | 52        | 10     | AS.38.62.7    | AS   | 38                | 62        | 7      | A.42.72.8   | A    | 42                | 72        | 8      |
| AS.32.52.10 | AS   | 32                | 52        | 10     | A.38.62.8     | A    | 38                | 62        | 8      | AS.42.78.8  | AS   | 42                | 78        | 8      |
| AS.32.56.10 | AS   | 32                | 56        | 10     | A.38.62.10    | A    | 38                | 62        | 10     | A.43.75.10  | A    | 43                | 75        | 10     |
| AS.33.50.6  | AS   | 33                | 50        | 6      | AS.38.72.10   | AS   | 38                | 72        | 10     | A.44.60.10  | A    | 44                | 60        | 10     |
| AS.33.50.10 | AS   | 33                | 50        | 10     | A.40.49,6,7,3 | A    | 40                | 49,6      | 7,3    | A.44.62.10  | A    | 44                | 62        | 10     |
| A.33.52.6   | A    | 33                | 52        | 6      | AS.40.50.8    | AS   | 40                | 50        | 8      | A.45.55.7   | A    | 45                | 55        | 7      |
| A.34.52.8   | A    | 34                | 52        | 8      | A.40.52.7     | A    | 40                | 52        | 7      | AS.45.58.7  | AS   | 45                | 58        | 7      |
| AS.34.52.8  | AS   | 34                | 52        | 8      | AS.40.52.7    | AS   | 40                | 52        | 7      | A.45.60.7   | A    | 45                | 60        | 7      |
| A.34.62.10  | A    | 34                | 62        | 10     | AS.40.52.8    | AS   | 40                | 52        | 8      | AS.45.60.7  | AS   | 45                | 60        | 7      |
| A.35.45.7   | A    | 35                | 45        | 7      | AS.40.52.10   | AS   | 40                | 52        | 10     | A.45.60.8   | A    | 45                | 60        | 8      |
| AS.35.45.7  | AS   | 35                | 45        | 7      | A.40.55.7     | A    | 40                | 55        | 7      | AS.45.60.8  | AS   | 45                | 60        | 8      |
| A.35.47.7   | A    | 35                | 47        | 7      | AS.40.55.7    | AS   | 40                | 55        | 7      | A.45.60.10  | A    | 45                | 60        | 10     |
| AS.35.47.7  | AS   | 35                | 47        | 7      | A.40.55.8     | A    | 40                | 55        | 8      | A.45.62.7   | A    | 45                | 62        | 7      |
| AS.35.47.10 | AS   | 35                | 47        | 10     | AS.40.55.8    | AS   | 40                | 55        | 8      | AS.45.62.7  | AS   | 45                | 62        | 7      |
| AS.35.48.9  | AS   | 35                | 48        | 9      | A.40.55.10    | A    | 40                | 55        | 10     | A.42.62.8   | A    | 42                | 62        | 8      |
| A.35.50.7   | A    | 35                | 50        | 7      | A.40.56.8     | A    | 40                | 56        | 8      | AS.45.62.8  | AS   | 45                | 62        | 8      |
| AS.35.50.7  | AS   | 35                | 50        | 7      | AS.40.56.8    | AS   | 40                | 56        | 8      | A.45.62.10  | A    | 45                | 62        | 10     |
| A.35.50.8   | A    | 35                | 50        | 8      | A.40.58.10    | A    | 40                | 58        | 10     | AS.45.62.10 | AS   | 45                | 62        | 10     |

**Il nostro Ufficio Tecnico è sempre a Vostra disposizione per valutare qualsiasi richiesta e per la stesura di preventivi di fornitura**

|              |      | Dimensioni in mm. |           |        |               |      | Dimensioni in mm. |           |        |              |      | Dimensioni in mm. |           |        |
|--------------|------|-------------------|-----------|--------|---------------|------|-------------------|-----------|--------|--------------|------|-------------------|-----------|--------|
| CodiceCodice | Tipo | Ø albero          | Ø esterno | Largh. | Codice        | Tipo | Ø albero          | Ø esterno | Largh. | Codice       | Tipo | Ø albero          | Ø esterno | Largh. |
| A.45.65.8    | A    | 45                | 65        | 8      | AS.52.72.10   | AS   | 52                | 72        | 10     | AS.63.100.10 | AS   | 63                | 100       | 10     |
| AS.45.65.8   | AS   | 45                | 65        | 8      | A.52.75.8     | A    | 52                | 75        | 8      | AS.64.80.8   | AS   | 64                | 80        | 8      |
| A.45.65.10   | A    | 45                | 65        | 10     | A.52.75.12    | A    | 52                | 75        | 12     | AS.64.85.10  | AS   | 64                | 85        | 10     |
| AS.45.65.10  | AS   | 45                | 65        | 10     | A.52.85.10    | A    | 52                | 85        | 10     | A.65.80.8    | A    | 65                | 80        | 8      |
| AS.45.66.10  | AS   | 45                | 66        | 10     | AS.52.85.10   | AS   | 52                | 85        | 10     | A.65.80.10   | A    | 65                | 80        | 10     |
| A.45.68.10   | A    | 45                | 68        | 10     | AS.54.72.10   | AS   | 54                | 72        | 10     | AS.65.80.10  | AS   | 65                | 80        | 10     |
| A.45.72.8    | A    | 45                | 72        | 8      | A.55.68.8     | A    | 55                | 68        | 8      | A.65.85.10   | A    | 65                | 85        | 10     |
| AS.45.72.8   | AS   | 45                | 72        | 8      | A.55.70.8     | A    | 55                | 70        | 8      | AS.65.85.10  | AS   | 65                | 85        | 10     |
| A.45.72.10   | A    | 45                | 72        | 10     | AS.55.70.8    | AS   | 55                | 70        | 8      | A.65.90.10   | A    | 65                | 90        | 10     |
| AS.45.72.10  | AS   | 45                | 72        | 10     | A.55.70.10    | A    | 55                | 70        | 10     | AS.65.90.10  | AS   | 65                | 90        | 10     |
| AS.45.75.8   | AS   | 45                | 75        | 8      | AS.55.70.10   | AS   | 55                | 70        | 10     | A.65.95.10   | A    | 65                | 95        | 10     |
| A.45.75.10   | A    | 45                | 75        | 10     | A.55.72.8     | A    | 55                | 72        | 8      | AS.65.95.10  | AS   | 65                | 95        | 10     |
| AS.45.75.10  | AS   | 45                | 75        | 10     | AS.55.72.8    | AS   | 55                | 72        | 8      | A.65.100.10  | A    | 65                | 100       | 10     |
| A.45.80.10   | A    | 45                | 80        | 10     | A.55.72.10    | A    | 55                | 72        | 10     | AS.65.100.10 | AS   | 65                | 100       | 10     |
| AS.45.80.10  | AS   | 45                | 80        | 10     | AS.55.72.10   | AS   | 55                | 72        | 10     | A.65.100.12  | A    | 65                | 100       | 12     |
| A.45.85.10   | A    | 45                | 85        | 10     | A.55.75.10    | A    | 55                | 75        | 10     | A.68.90.10   | A    | 68                | 90        | 10     |
| AS.45.85.10  | AS   | 45                | 85        | 10     | AS.55.75.10   | AS   | 55                | 75        | 10     | AS.68.90.10  | AS   | 68                | 90        | 10     |
| A.45.90.10   | A    | 45                | 90        | 10     | A.55.80.8     | A    | 55                | 80        | 8      | AS.68.98.10  | AS   | 68                | 98        | 10     |
| AS.45.100.10 | AS   | 45                | 100       | 10     | AS.55.80.8    | AS   | 55                | 80        | 8      | A.68.100.13  | A    | 68                | 100       | 13     |
| A.46.65.10   | A    | 46                | 65        | 10     | A.55.80.10    | A    | 55                | 80        | 10     | A.70.85.8    | A    | 70                | 85        | 8      |
| A.48.62.8    | A    | 48                | 62        | 8      | AS.55.80.10   | AS   | 55                | 80        | 10     | AS.70.85.8   | AS   | 70                | 85        | 8      |
| AS.48.62.8   | AS   | 48                | 62        | 8      | A.55.85.8     | A    | 55                | 85        | 8      | A.70.90.10   | A    | 70                | 90        | 10     |
| A.48.65.10   | A    | 48                | 65        | 10     | A.55.85.10    | A    | 55                | 85        | 10     | AS.70.90.10  | AS   | 70                | 90        | 10     |
| AS.48.65.10  | AS   | 48                | 65        | 10     | AS.55.85.10   | AS   | 55                | 85        | 10     | A.70.90.12   | A    | 70                | 90        | 12     |
| A.48.68.10   | A    | 48                | 68        | 10     | A.55.90.10    | A    | 55                | 90        | 10     | A.70.95.10   | A    | 70                | 95        | 10     |
| AS.48.68.10  | AS   | 48                | 68        | 10     | AS.55.90.10   | AS   | 55                | 90        | 10     | AS.70.95.10  | AS   | 70                | 95        | 10     |
| A.48.72.8    | A    | 48                | 72        | 8      | AS.55.100.10  | AS   | 55                | 100       | 10     | A.70.100.10  | A    | 70                | 100       | 10     |
| AS.48.72.8   | AS   | 48                | 72        | 8      | A.55.100.12   | A    | 55                | 100       | 12     | AS.70.100.10 | AS   | 70                | 100       | 10     |
| A.48.72.10   | A    | 48                | 72        | 10     | AS.55.100.12  | AS   | 55                | 100       | 12     | A.70.110.8   | A    | 70                | 110       | 8      |
| A.48.80.10   | A    | 48                | 80        | 10     | A.56.85.8     | A    | 56                | 85        | 8      | A.70.110.10  | A    | 70                | 110       | 10     |
| AS.48.80.10  | AS   | 48                | 80        | 10     | A.58.72.8     | A    | 58                | 72        | 8      | A.70.110.12  | A    | 70                | 110       | 12     |
| A.48.85.10   | A    | 48                | 85        | 10     | AS.58.72.8    | AS   | 58                | 72        | 8      | AS.70.110.12 | AS   | 70                | 110       | 12     |
| A.50.65.8    | A    | 50                | 65        | 8      | A.58.80.8     | A    | 58                | 80        | 8      | A.71.88.8    | A    | 71                | 88        | 8      |
| AS.50.65.8   | AS   | 50                | 65        | 8      | A.58.80.10    | A    | 58                | 80        | 10     | A.72.90.10   | A    | 72                | 90        | 10     |
| A.50.65.10   | A    | 50                | 65        | 10     | AS.58.80.10   | AS   | 58                | 80        | 10     | A.72.95.10   | A    | 72                | 95        | 10     |
| A.50.68.8    | A    | 50                | 68        | 8      | A.60.70.7     | A    | 60                | 70        | 7      | AS.72.100.10 | AS   | 72                | 100       | 10     |
| AS.50.68.8   | AS   | 50                | 68        | 8      | A.60.72.8     | A    | 60                | 72        | 8      | A.75.90.8    | A    | 75                | 90        | 8      |
| A.50.68.10   | A    | 50                | 68        | 10     | A.60.75.8     | A    | 60                | 75        | 8      | AS.75.90.10  | AS   | 75                | 90        | 10     |
| AS.50.68.10  | AS   | 50                | 68        | 10     | AS.60.75.8    | AS   | 60                | 75        | 8      | A.75.95.10   | A    | 75                | 95        | 10     |
| A.50.70.10   | A    | 50                | 70        | 10     | A.60.80.8     | A    | 60                | 80        | 8      | AS.75.95.10  | AS   | 75                | 95        | 10     |
| AS.50.70.10  | AS   | 50                | 70        | 10     | AS.60.80.8    | AS   | 60                | 80        | 8      | A.75.100.10  | A    | 75                | 100       | 10     |
| A.50.72.8    | A    | 50                | 72        | 8      | A.60.80.10    | A    | 60                | 80        | 10     | AS.75.100.10 | AS   | 75                | 100       | 10     |
| AS.50.72.8   | AS   | 50                | 72        | 8      | AS.60.80.10   | AS   | 60                | 80        | 10     | A.75.100.12  | A    | 75                | 100       | 12     |
| A.50.72.10   | A    | 50                | 72        | 10     | AS.60.80.12   | AS   | 60                | 80        | 12     | AS.75.105.13 | AS   | 75                | 105       | 13     |
| AS.50.72.10  | AS   | 50                | 72        | 10     | AS.60.82.10   | AS   | 60                | 82        | 10     | A.75.110.12  | A    | 75                | 110       | 12     |
| AS.50.72.12  | AS   | 50                | 72        | 12     | AS.60.85.8    | AS   | 60                | 85        | 8      | AS.75.110.13 | AS   | 75                | 110       | 13     |
| A.50.75.10   | A    | 50                | 75        | 10     | A.60.85.10    | A    | 60                | 85        | 10     | A.75.120.12  | A    | 75                | 120       | 12     |
| AS.50.75.12  | AS   | 50                | 75        | 12     | AS.60.85.10   | AS   | 60                | 85        | 10     | A.78.100.10  | A    | 78                | 100       | 10     |
| A.50.80.8    | A    | 50                | 80        | 8      | A.60.90.8     | A    | 60                | 90        | 8      | A.78.110.12  | A    | 78                | 110       | 12     |
| AS.50.80.8   | AS   | 50                | 80        | 8      | AS.60.90.8    | AS   | 60                | 90        | 8      | A.80.100.10  | A    | 80                | 100       | 10     |
| A.50.80.10   | A    | 50                | 80        | 10     | A.60.90.10    | A    | 60                | 90        | 10     | AS.80.100.10 | AS   | 80                | 100       | 10     |
| AS.50.80.10  | AS   | 50                | 80        | 10     | AS.60.90.10   | AS   | 60                | 90        | 10     | AS.80.100.12 | AS   | 80                | 100       | 12     |
| AS.50.80.13  | AS   | 50                | 80        | 13     | A.60.95.10    | A    | 60                | 95        | 10     | A.80.100.13  | A    | 80                | 100       | 13     |
| AS.50.85.10  | AS   | 50                | 85        | 10     | AS.60.95.10   | AS   | 60                | 95        | 10     | AS.80.100.13 | AS   | 80                | 100       | 13     |
| A.50.90.10   | A    | 50                | 90        | 10     | AS.60.100.10  | AS   | 60                | 100       | 10     | A.80.110.10  | A    | 80                | 110       | 10     |
| AS.50.90.10  | AS   | 50                | 90        | 10     | AS.60.100.13  | AS   | 60                | 100       | 13     | AS.80.110.10 | AS   | 80                | 110       | 10     |
| AS.50.100.10 | AS   | 50                | 100       | 10     | AS.60.110.12  | AS   | 60                | 110       | 12     | A.80.110.12  | A    | 80                | 110       | 12     |
| A.52.68.8    | A    | 52                | 68        | 8      | AS.60.5.78.10 | AS   | 60,5              | 78        | 10     | AS.80.110.12 | AS   | 80                | 110       | 12     |
| AS.52.68.10  | AS   | 52                | 68        | 10     | A.62.85.10    | A    | 62                | 85        | 10     | A.80.120.12  | A    | 80                | 120       | 12     |
| AS.52.80.13  | AS   | 52                | 80        | 13     | AS.62.85.10   | AS   | 62                | 85        | 10     | AS.80.120.13 | AS   | 80                | 120       | 13     |
| AS.52.70.9   | AS   | 52                | 70        | 9      | AS.62.90.10   | AS   | 62                | 90        | 10     | AS.80.125.10 | AS   | 80                | 125       | 10     |
| A.52.72.8    | A    | 52                | 72        | 8      | A.63.90.10    | A    | 63                | 90        | 10     | A.85.105.10  | A    | 85                | 105       | 10     |
| AS.52.72.8   | AS   | 52                | 72        | 8      | AS.63.90.10   | AS   | 63                | 90        | 10     | AS.85.105.10 | AS   | 85                | 105       | 10     |

**Il nostro Ufficio Tecnico è sempre a Vostra disposizione per valutare qualsiasi richiesta e per la stesura di preventivi di fornitura**

|               |      | Dimensioni in mm. |           |        |               |      | Dimensioni in mm. |           |        |             |      | Dimensioni in mm. |           |        |
|---------------|------|-------------------|-----------|--------|---------------|------|-------------------|-----------|--------|-------------|------|-------------------|-----------|--------|
| Codice        | Tipo | Ø albero          | Ø esterno | Largh. | Codice        | Tipo | Ø albero          | Ø esterno | Largh. | Codice      | Tipo | Ø albero          | Ø esterno | Largh. |
| A.85.105.13   | A    | 85                | 105       | 13     | AS.130.160.14 | AS   | 130               | 160       | 14     | A.7.16.7    | A    | 7                 | 16        | 7      |
| AS.85.105.13  | AS   | 85                | 105       | 13     | AS.130.160.15 | AS   | 130               | 160       | 15     | A.8.16.7    | A    | 8                 | 16        | 7      |
| A.85.110.12   | A    | 85                | 110       | 12     | A.130.170.12  | A    | 130               | 170       | 12     | A.10.22.7   | A    | 10                | 22        | 7      |
| AS.85.110.12  | AS   | 85                | 110       | 12     | AS.130.170.12 | AS   | 130               | 170       | 12     | A.10.26.7   | A    | 10                | 26        | 7      |
| A.85.110.13   | A    | 85                | 110       | 13     | A.135.160.12  | A    | 135               | 160       | 12     | A.12.22.7   | A    | 12                | 22        | 7      |
| AS.85.110.13  | AS   | 85                | 110       | 13     | AS.140.160.13 | AS   | 140               | 160       | 13     | A.12.24.6   | A    | 12                | 24        | 6      |
| A.85.120.12   | A    | 85                | 120       | 12     | A.140.170.12  | A    | 140               | 170       | 12     | A.12.28.7   | A    | 12                | 28        | 7      |
| AS.85.120.13  | AS   | 85                | 120       | 13     | AS.140.170.12 | AS   | 140               | 170       | 12     | A.12.32.7   | A    | 12                | 32        | 7      |
| A.90.110.10   | A    | 90                | 110       | 10     | A.140.170.15  | A    | 140               | 170       | 15     | A.14.28.10  | A    | 14                | 28        | 10     |
| A.90.110.12   | A    | 90                | 110       | 12     | AS.140.170.15 | AS   | 140               | 170       | 15     | A.15.30.4,5 | A    | 15                | 30        | 4,5    |
| AS.90.110.12  | AS   | 90                | 110       | 12     | A.140.180.10  | A    | 140               | 180       | 10     | A.15.30.7   | A    | 15                | 30        | 7      |
| A.90.110.13   | A    | 90                | 110       | 13     | A.145.170.15  | A    | 145               | 170       | 15     | A.15.30.10  | A    | 15                | 30        | 10     |
| A.90.115.13   | A    | 90                | 115       | 13     | AS.145.175.14 | AS   | 145               | 175       | 14     | AS.15.32.5  | AS   | 15                | 32        | 5      |
| A.90.120.12   | A    | 90                | 120       | 12     | A.145.175.15  | A    | 145               | 175       | 15     | A.15.32.7   | A    | 15                | 32        | 7      |
| AS.90.120.12  | AS   | 90                | 120       | 12     | AS.145.180.12 | AS   | 145               | 180       | 12     | A.15.42.7   | A    | 15                | 42        | 7      |
| AS.90.130.12  | AS   | 90                | 130       | 12     | A.150.180.12  | A    | 150               | 180       | 12     | A.17.25.4   | A    | 17                | 25        | 4      |
| AS.95.115.12  | AS   | 95                | 115       | 12     | AS.150.180.12 | AS   | 150               | 180       | 12     | A.17.28.7   | A    | 17                | 28        | 7      |
| A.95.120.12   | A    | 95                | 120       | 12     | A.150.180.13  | A    | 150               | 180       | 13     | AS.17.32.5  | AS   | 17                | 32        | 5      |
| AS.95.120.12  | AS   | 95                | 120       | 12     | A.150.180.15  | A    | 150               | 180       | 15     | A.17.32.7   | A    | 17                | 32        | 7      |
| A.95.120.13   | A    | 95                | 120       | 13     | AS.160.185.10 | AS   | 160               | 185       | 10     | AS.17.40.7  | AS   | 17                | 40        | 7      |
| AS.95.125.12  | AS   | 95                | 125       | 12     | A.160.190.15  | A    | 160               | 190       | 15     | A.17.47.7   | A    | 17                | 47        | 7      |
| AS.95.125.13  | AS   | 95                | 125       | 13     | AS.160.190.15 | AS   | 160               | 190       | 15     | AS.18.30.7  | AS   | 18                | 30        | 7      |
| A.95.130.12   | A    | 95                | 130       | 12     | A.160.200.12  | A    | 160               | 200       | 12     | AS.18.32.7  | AS   | 18                | 32        | 7      |
| AS.95.130.12  | AS   | 95                | 130       | 12     | AS.165.190.13 | AS   | 165               | 190       | 13     | A.20.30.5   | A    | 20                | 30        | 5      |
| A.98.120.13   | A    | 98                | 120       | 13     | A.170.200.12  | A    | 170               | 200       | 12     | A.20.30.7   | A    | 20                | 30        | 7      |
| AS.100.115.9  | AS   | 100               | 115       | 9      | A.170.200.15  | A    | 170               | 200       | 15     | A.20.32.7   | A    | 20                | 32        | 7      |
| A.100.120.10  | A    | 100               | 120       | 10     | AS.170.200.15 | AS   | 170               | 200       | 15     | A.20.35.7   | A    | 20                | 35        | 7      |
| A.100.120.12  | A    | 100               | 120       | 12     | A.175.200.15  | A    | 175               | 200       | 15     | A.20.42.7   | A    | 20                | 42        | 7      |
| AS.100.120.12 | AS   | 100               | 120       | 12     | AS.175.200.15 | AS   | 175               | 200       | 15     | A.22.35.7   | A    | 22                | 35        | 7      |
| A.100.125.12  | A    | 100               | 125       | 12     | AS.180.210.15 | AS   | 180               | 210       | 15     | AS.24.40.7  | AS   | 24                | 40        | 7      |
| AS.100.125.12 | AS   | 100               | 125       | 12     | AS.180.220.15 | AS   | 180               | 220       | 15     | A.25.35.7   | A    | 25                | 35        | 7      |
| A.100.130.12  | A    | 100               | 130       | 12     | A.190.220.15  | A    | 190               | 220       | 15     | AS.25.35.7  | AS   | 25                | 35        | 7      |
| AS.100.130.12 | AS   | 100               | 130       | 12     | A.200.225.15  | A    | 200               | 225       | 15     | A.25.40.7   | A    | 25                | 40        | 7      |
| A.100.140.13  | A    | 100               | 140       | 13     | A.200.230.15  | A    | 200               | 230       | 15     | A.25.42.7   | A    | 25                | 42        | 7      |
| A.105.125.13  | A    | 105               | 125       | 13     | AS.200.240.15 | AS   | 200               | 240       | 15     | AS.25.42.7  | AS   | 25                | 42        | 7      |
| A.105.130.12  | A    | 105               | 130       | 12     | A.200.250.15  | A    | 200               | 250       | 15     | A.25.47.7   | A    | 25                | 47        | 7      |
| AS.105.130.12 | AS   | 105               | 130       | 12     | A.210.240.15  | A    | 210               | 240       | 15     | AS.25.47.7  | AS   | 25                | 47        | 7      |
| AS.105.130.13 | AS   | 105               | 130       | 13     | A.210.250.15  | A    | 210               | 250       | 15     | A.25.50.10  | A    | 25                | 50        | 10     |
| A.105.140.12  | A    | 105               | 140       | 12     | A.220.250.15  | A    | 220               | 250       | 15     | A.25.52.7   | A    | 25                | 52        | 7      |
| A.105.150.15  | A    | 105               | 150       | 15     | A.230.260.15  | A    | 230               | 260       | 15     | A.25.62.10  | A    | 25                | 62        | 10     |
| A.110.130.12  | A    | 110               | 130       | 12     | A.240.270.15  | A    | 240               | 270       | 15     | AS.28.40.7  | AS   | 28                | 40        | 7      |
| AS.110.130.12 | AS   | 110               | 130       | 12     | A.240.280.15  | A    | 240               | 280       | 15     | AS.28.42.7  | AS   | 28                | 42        | 7      |
| A.110.140.12  | A    | 110               | 140       | 12     | A.250.280.15  | A    | 250               | 280       | 15     | A.30.40.7   | A    | 30                | 40        | 7      |
| A.110.150.13  | A    | 110               | 150       | 13     | A.260.290.15  | A    | 260               | 290       | 15     | AS.30.40.7  | AS   | 30                | 40        | 7      |
| AS.112.140.13 | AS   | 112               | 140       | 13     | A.280.310.15  | A    | 280               | 310       | 15     | AS.30.42.7  | AS   | 30                | 42        | 7      |
| A.115.130.12  | A    | 115               | 130       | 12     | A.300.340.18  | A    | 300               | 340       | 18     | AS.30.47.6  | AS   | 30                | 47        | 6      |
| A.115.140.12  | A    | 115               | 140       | 12     | A.340.380.18  | A    | 340               | 380       | 18     | A.40.47.7   | A    | 40                | 47        | 7      |
| AS.115.140.12 | AS   | 115               | 140       | 12     | A.380.420.20  | A    | 380               | 420       | 20     | A.30.47.10  | A    | 30                | 47        | 10     |
| AS.115.140.13 | AS   | 115               | 140       | 13     | A.440.480.20  | A    | 440               | 480       | 20     | A.30.50.7   | A    | 30                | 50        | 7      |
| A.120.150.12  | A    | 120               | 150       | 12     |               |      |                   |           |        | A.30.57.7   | A    | 30                | 57        | 7      |
| AS.120.150.12 | AS   | 120               | 150       | 12     |               |      |                   |           |        | A.30.50.10  | A    | 30                | 50        | 10     |
| A.120.150.13  | A    | 120               | 150       | 13     |               |      |                   |           |        | A.30.52.7   | A    | 30                | 52        | 7      |
| AS.120.150.15 | AS   | 120               | 150       | 15     |               |      |                   |           |        | A.30.55.7   | A    | 30                | 55        | 7      |
| A.120.160.12  | A    | 120               | 160       | 12     |               |      |                   |           |        | AS.30.55.7  | AS   | 30                | 55        | 7      |
| A.120.160.13  | A    | 120               | 160       | 13     |               |      |                   |           |        | A.30.62.7   | A    | 30                | 62        | 7      |
| A.125.150.12  | A    | 125               | 150       | 12     |               |      |                   |           |        | A.32.47.7   | A    | 32                | 47        | 7      |
| AS.125.150.12 | AS   | 125               | 150       | 12     |               |      |                   |           |        | A.35.47.7   | A    | 35                | 47        | 7      |
| A.125.160.12  | A    | 125               | 160       | 12     |               |      |                   |           |        | AS.35.47.7  | AS   | 35                | 47        | 7      |
| A.125.160.13  | A    | 125               | 160       | 13     |               |      |                   |           |        | A.35.50.7   | A    | 35                | 50        | 7      |
| AS.130.150.12 | AS   | 130               | 150       | 12     |               |      |                   |           |        | A.35.52.7   | A    | 35                | 52        | 7      |
| AS.130.150.13 | AS   | 130               | 150       | 13     |               |      |                   |           |        | AS.35.52.7  | AS   | 35                | 52        | 7      |
| A.130.160.12  | A    | 130               | 160       | 12     |               |      |                   |           |        | A.35.52.10  | A    | 35                | 52        | 10     |
| AS.130.160.12 | AS   | 130               | 160       | 12     |               |      |                   |           |        | A.35.62.7   | A    | 35                | 62        | 7      |

**Il nostro Ufficio Tecnico è sempre a Vostra disposizione per valutare qualsiasi richiesta e per la stesura di preventivi di fornitura**

|            |      | Dimensioni in mm. |           |        |             |      | Dimensioni in mm. |           |        |              |      | Dimensioni in mm. |           |        |
|------------|------|-------------------|-----------|--------|-------------|------|-------------------|-----------|--------|--------------|------|-------------------|-----------|--------|
| Codice     | Tipo | Ø albero          | Ø esterno | Largh. | Codice      | Tipo | Ø albero          | Ø esterno | Largh. | Codice       | Tipo | Ø albero          | Ø esterno | Largh. |
| AS.35.62.7 | AS   | 35                | 62        | 7      | A.48.62.8   | A    | 48                | 62        | 8      | AS.65.100.10 | AS   | 65                | 100       | 10     |
| A.35.72.10 | A    | 35                | 72        | 10     | A.48.72.10  | A    | 48                | 72        | 10     | A.70.85.8    | A    | 70                | 85        | 8      |
| AS.36.50.7 | AS   | 36                | 50        | 7      | A.50.65.8   | A    | 50                | 65        | 8      | A.70.90.10   | A    | 70                | 90        | 10     |
| AS.36.52.7 | AS   | 36                | 52        | 7      | AS.50.68.8  | AS   | 50                | 68        | 8      | AS.70.90.10  | AS   | 70                | 90        | 10     |
| A.36.58.10 | A    | 36                | 58        | 10     | A.50.70.10  | A    | 50                | 70        | 10     | A.70.100.10  | A    | 70                | 100       | 10     |
| A.38.55.7  | A    | 38                | 55        | 7      | AS.50.72.8  | AS   | 50                | 72        | 8      | A.75.95.12   | A    | 75                | 95        | 12     |
| A.40.52.7  | A    | 40                | 52        | 7      | A.50.80.8   | A    | 50                | 80        | 8      | A.75.100.12  | A    | 75                | 100       | 12     |
| A.40.55.7  | A    | 40                | 55        | 7      | AS.50.80.8  | AS   | 50                | 80        | 8      | AS.75.110.12 | AS   | 75                | 110       | 12     |
| AS.40.55.7 | AS   | 40                | 55        | 7      | A.50.90.10  | A    | 50                | 90        | 10     | A.80.100.10  | A    | 80                | 100       | 10     |
| AS.40.55.8 | AS   | 40                | 55        | 8      | AS.50.90.10 | AS   | 50                | 90        | 10     | AS.80.100.10 | AS   | 80                | 100       | 10     |
| A.40.56.8  | A    | 40                | 56        | 8      | A.55.70.8   | A    | 55                | 70        | 8      | A.85.110.12  | A    | 85                | 110       | 12     |
| AS.40.56.8 | AS   | 40                | 56        | 8      | AS.55.70.8  | AS   | 55                | 70        | 8      | A.90.110.12  | A    | 90                | 110       | 12     |
| A.40.60.10 | A    | 40                | 60        | 10     | A.55.72.10  | A    | 55                | 72        | 10     | A.95.120.12  | A    | 95                | 120       | 12     |
| AS.40.62.7 | AS   | 40                | 62        | 7      | A.55.80.8   | A    | 55                | 80        | 8      | AS.100.115.9 | AS   | 100               | 115       | 9      |
| A.40.65.10 | A    | 40                | 65        | 10     | AS.55.80.8  | AS   | 55                | 80        | 8      | A.100.120.12 | A    | 100               | 120       | 12     |
| A.40.72.10 | A    | 40                | 72        | 10     | AS.55.80.10 | AS   | 55                | 80        | 10     | A.105.130.12 | A    | 105               | 130       | 12     |
| AS.42.56.7 | AS   | 42                | 56        | 7      | A.55.90.10  | A    | 55                | 90        | 10     | A.110.130.12 | A    | 110               | 130       | 12     |
| A.45.60.7  | A    | 45                | 60        | 7      | AS.60.75.8  | AS   | 60                | 75        | 8      | A.110.140.12 | A    | 110               | 140       | 12     |
| AS.45.60.7 | AS   | 45                | 60        | 7      | A.60.80.8   | A    | 60                | 80        | 8      | A.115.140.12 | A    | 115               | 140       | 12     |
| A.45.60.8  | A    | 45                | 60        | 8      | A.60.80.10  | A    | 60                | 80        | 10     | A.120.150.12 | A    | 120               | 150       | 12     |
| A.45.62.8  | A    | 45                | 62        | 8      | AS.60.85.8  | AS   | 60                | 85        | 8      | A.130.160.12 | A    | 130               | 160       | 12     |
| A.45.65.8  | A    | 45                | 65        | 8      | A.60.90.10  | A    | 60                | 90        | 10     | A.135.160.12 | A    | 135               | 160       | 12     |
| AS.45.65.8 | AS   | 45                | 65        | 8      | A.65.85.8   | A    | 65                | 85        | 8      | A.140.170.12 | A    | 140               | 170       | 12     |
| A.45.65.10 | A    | 45                | 65        | 10     | A.65.85.10  | A    | 65                | 85        | 10     | A.150.180.15 | A    | 150               | 180       | 15     |
| A.45.72.8  | A    | 45                | 72        | 8      | AS.65.85.10 | AS   | 65                | 85        | 10     | A.160.190.15 | A    | 160               | 190       | 15     |
| AS.45.75.8 | AS   | 45                | 75        | 8      | AS.65.90.10 | AS   | 65                | 90        | 10     | A.170.200.15 | A    | 170               | 200       | 15     |

## LE NOSTRE LAVORAZIONI

- **SOSTITUTIVI AMIANTO:** lavorazioni e forniture di particolari in giunture, cartoni, pannelli, feltri e tessuti di vario tipo, baderne, trecce, filotti, nastri e tessuti in fibra di vetro, fibra ceramica e speciali.
- **CARTONI:** rondelle, flange, strisce e guarnizioni su disegno in cartoni vari e speciali, guarnizioni in cartoncino glicerinato.
- **GOMMA:** fustellatura, stampaggio e tornitura di guarnizioni, rondelle, dischi, manicotti, giunti saldati a freddo, parastrappi, strisce, membrane, collaretti torniti, O-rings di serie e fuori serie con corda da Ø 1,5 a 30 mm.
- **ESPANSI:** fustellatura e taglio di guarnizioni in espansi vari, anche su supporto adesivo.
- **COLLANTI:** collante cianoacrilico ACR, collante al neoprene, mastice per tenuta stagna.
- **RESINE:** particolari in materiali bachelizzati, guarnizioni piane e tornite.
- **PLASTICA:** tranciatura, tornitura e stampaggio di guarnizioni, rondelle, boccole, sagomati in PTFE, Nylon, Delrin, PVC, ABS, Plexiglass e materiali plastici in genere.
- **CUOIO E FELTRI:** lavorazioni e guarnizioni in cuoio, fustellatura e lavorazioni speciali di guarnizioni in feltro.
- **METALLI:** tranciatura di rondelle, dischi e particolari in metalli tecnici (acciaio, rame, ottone, alluminio, bronzo), rondelle in rame e alluminio pronta consegna.

# AGIT<sup>sas</sup>

Socio fondatore dell'Associazione  
Italiana Waterjet (AIW)

Via Montanari, 25 - 20161 Milano  
Telefono 02 393 107 37 - Fax 02 375 691  
Internet: <http://www.agit.it>  
E-mail [info@agit.it](mailto:info@agit.it)